

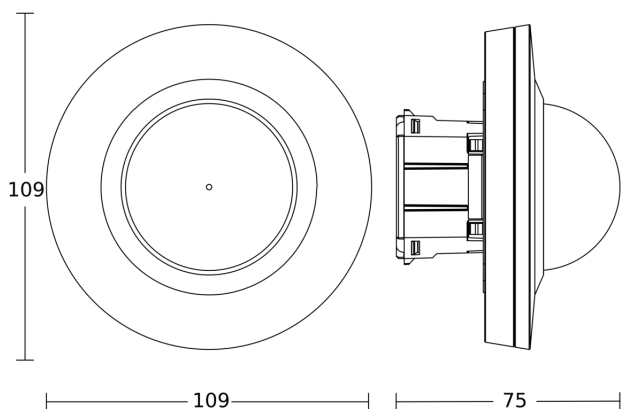
Motion detector - Professional Line

MD-24 ECO

COM1 - in-ceiling installation
EAN 4007841 087777
Article number 087777



Dimension Drawing 1



Dimension Drawing 2

